

INSTRUMENT CURRENT TRANSFORMER

3P 2.0" & 2.5" Internal Diameter
Width 2.25"



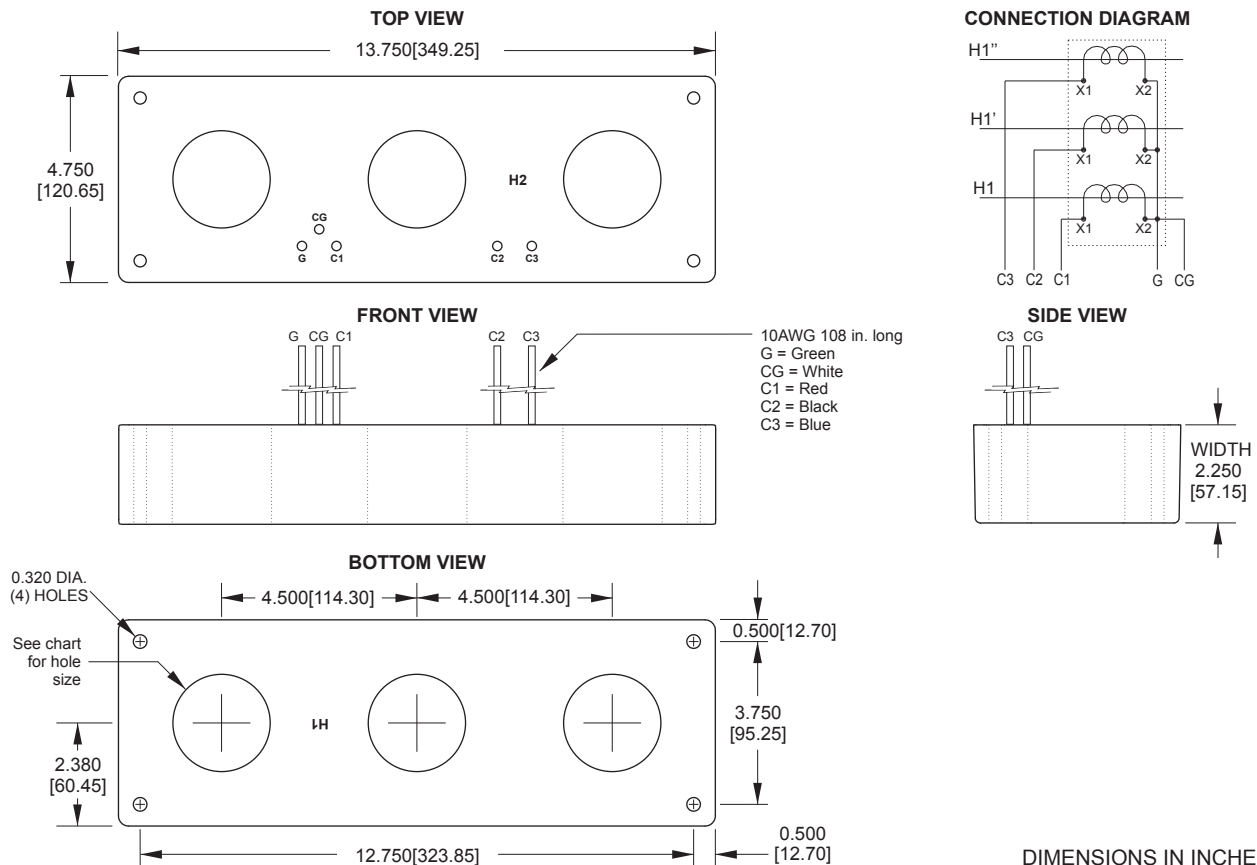
- Application - 3-Phase metering
- Frequency 50 - 400hz
- AC capability 100 - 1000 Amperes
- Insulation Class 0.6kV, 10kV BIL full wave
- Other ratios available
- Secondary terminals are UL 1015, 105° C, CSA approved, No. 10 AWG, 108 in. long.
- Approximate weight 12 lbs
- UL and cUL Certified per ANSI/IEEE C57.13 standard



ELECTRICAL SPECIFICATIONS

CATALOG NUMBER	CURRENT RATIO (A)	ANSI METERING CLASS AT 60HZ					SECONDARY WINDING RESISTANCE (OHMS @75C)	CURRENT RATING FACTOR @30C	EXCITATION VOLTAGE AT KNEE (V), 60 Hz	HOLE DIAMETER (in)
		B0.1	B0.2	B0.5	B0.9	B1.8				
ICT40007	100:5	0.6	1.2	2.4			0.04	1.0	6.75	2.00
ICT40001	150:5	0.6	1.2	2.4			0.06	1.0	6.00	2.00
ICT40005	200:5	0.6	0.6	1.2	2.4		0.08	1.0	8.00	2.00
ICT40003	300:5	0.3	0.6	1.2	2.4		0.06	1.0	6.25	2.50
ICT40006	400:5	0.3	0.3	0.6	1.2	2.4	0.09	1.0	8.35	2.50
ICT40004	600:5	0.3	0.3	0.3	0.6	0.6	0.21	1.0	24.00	2.00
ICT40008	800:5	0.3	0.3	0.3	0.3	0.3	0.30	1.0	32.00	2.00
ICT40009	900:5	0.3	0.3	0.3	0.3	0.3	0.31	1.0	36.19	2.00
ICT40002	1000:5	0.3	0.3	0.3	0.3	0.3	0.28	1.0	25.10	2.00

MECHANICAL SPECIFICATIONS



Typical Excitation Curves

