

INSTRUMENT CURRENT TRANSFORMER

6.5" Internal Diameter, Multi-Ratio

Width 6.75"



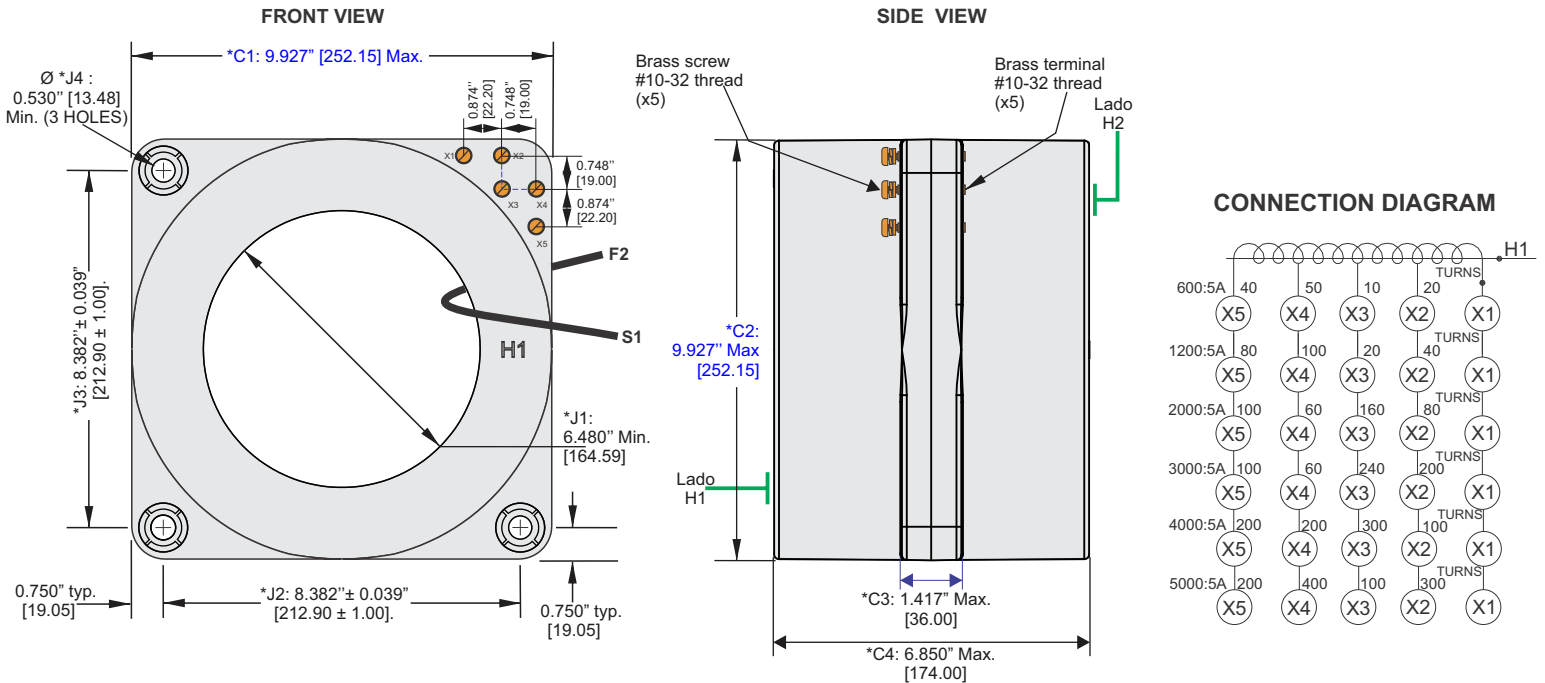
- Application - Relay and Metering
- Frequency 50 - 400hz
- AC capability 75 - 4000 Amperes
- Insulation Class 0.6kV, 10kV BIL full wave
- Secondary terminals are brass screws No. 10-32 with one flatwasher, lockwasher, accessible from either side
- Approximate weight 52 lbs
- UL and cUL Certified per ANSI/IEEE C57.13 standard



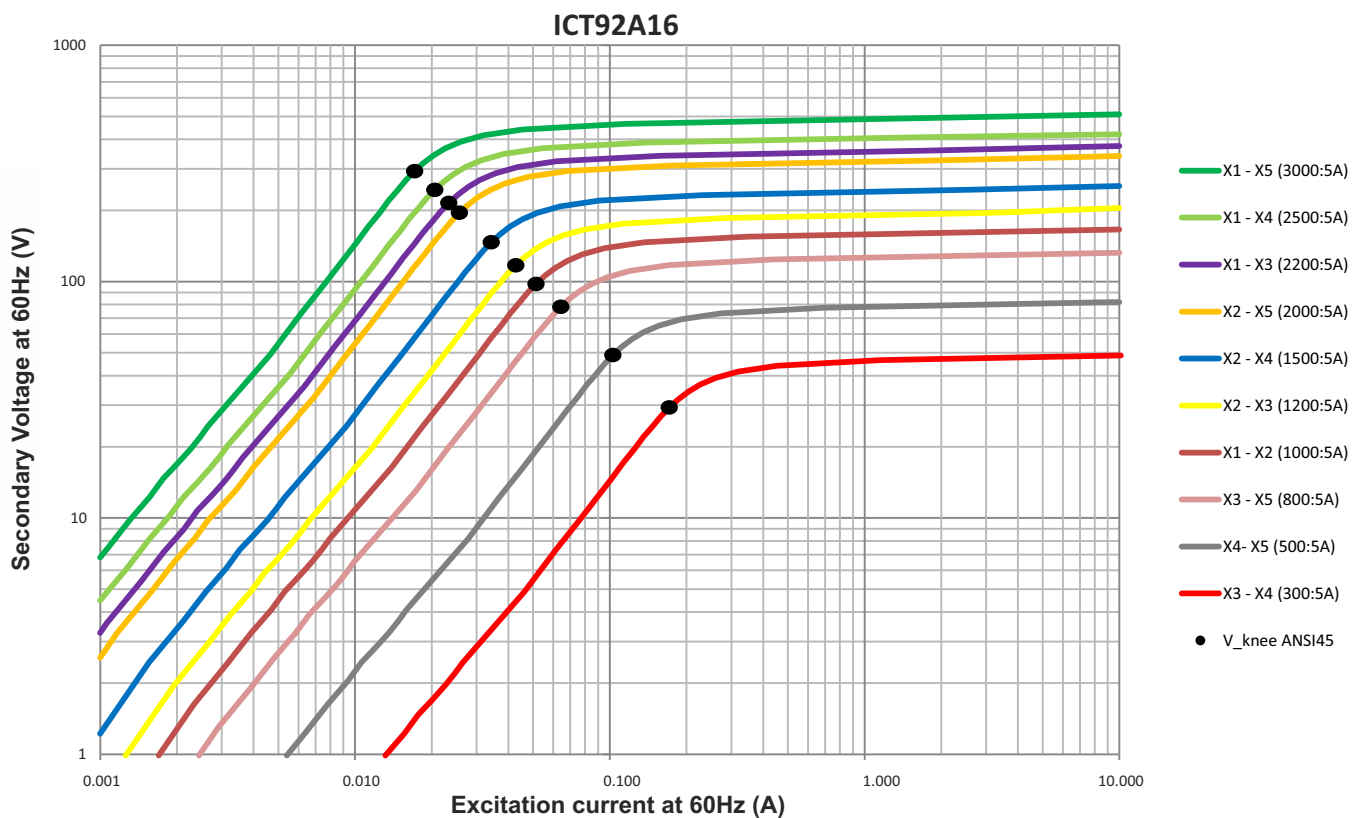
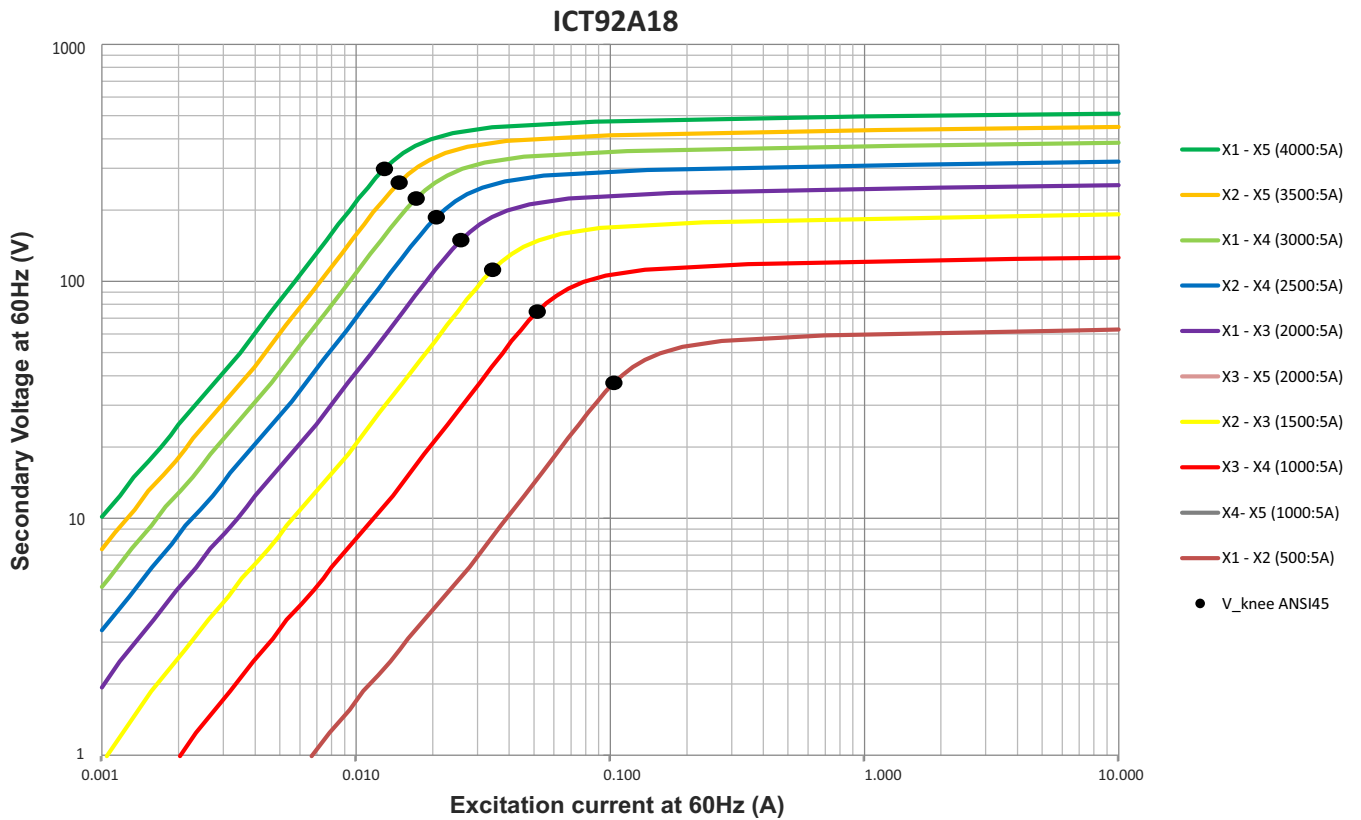
ELECTRICAL SPECIFICATIONS

CATALOG NUMBER	CURRENT RATIO (A), (X1-X5)	RELAY CLASS	ANSI METERING CLASS AT 60HZ					SECONDARY WINDING RESISTANCE(OHMS @75C)	CURRENT RATING FACTOR @30C
			B0.1	B0.2	B0.5	B0.9	B1.8		
ICT92A03	600:5	C200	0.3	0.3	0.3	0.6	0.6	0.39	2.0
ICT92A02	1200:5	C400	0.3	0.3	0.3	0.3	0.3	0.76	2.0
ICT92A06	2000:5	C400	0.3	0.3	0.3	0.3	0.3	0.75	2.0
ICT92A16	3000:5	C400	0.3	0.3	0.3 <td 0.3	0.3	1.11	1.33	
ICT92A18	4000:5	C400	0.3	0.3	0.3	0.3	0.3	1.32	1.33

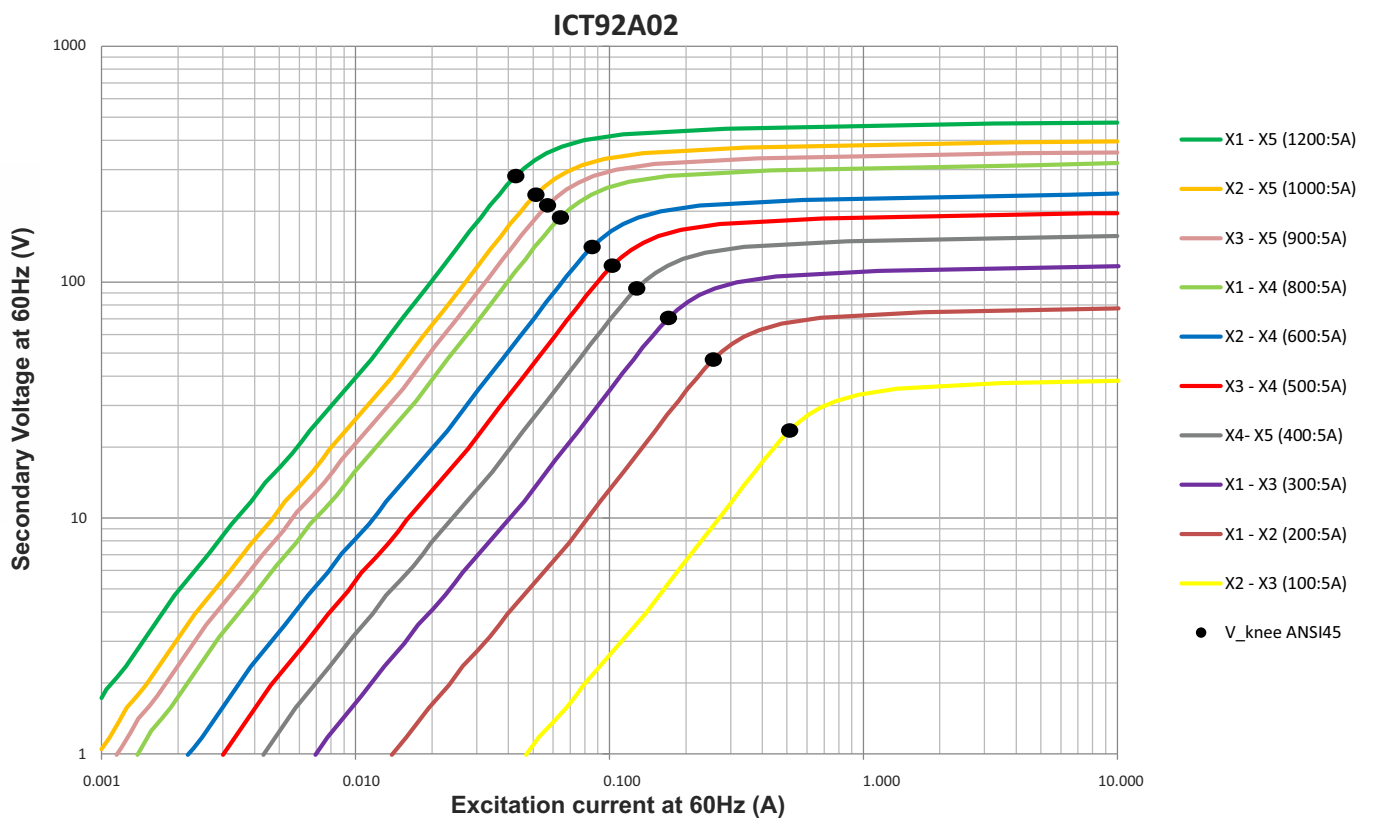
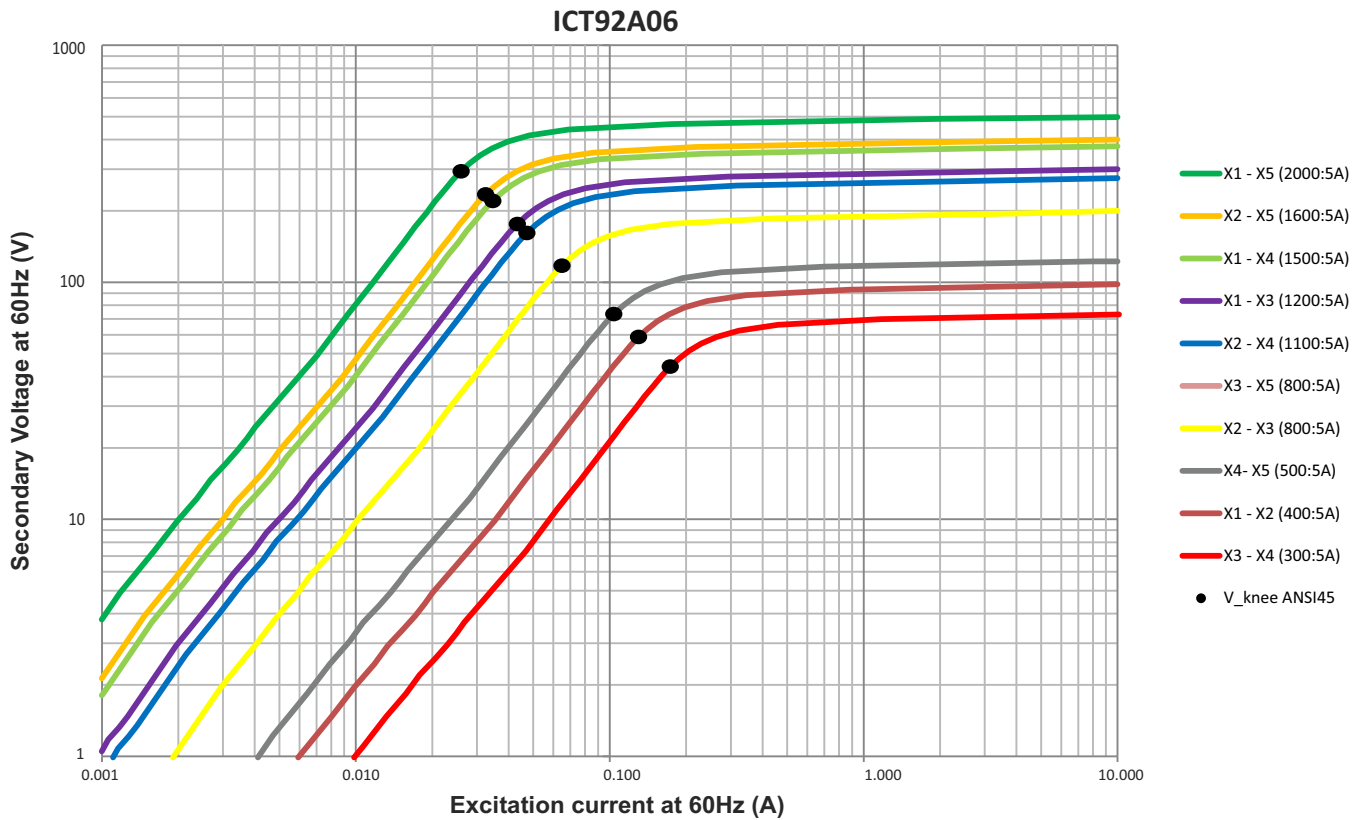
MECHANICAL SPECIFICATIONS



Typical Excitation Curves



Typical Excitation Curves



6.5" Internal Diameter, Multi-Ratio
Width 6.75"

Typical Excitation Curves

